



ENVI200 Range: Versatile Solutions for Commercial and Residential Applications

Designed for residential and commercial use, ENVI200 filter housings offer versatile solutions. ENVI200 carbon refills, with or without Slowphos® media, work well in situations where it's important to prevent scale build up. This helps protect the dispensing equipment and saves on maintenance costs.

- ✓ Commercial and residential suitability.
- ✓ Effective removal of contaminants, chemicals and particulates.
- ✓ Industry-standard water quality.
- ✓ Low maintenance and sustainability focus.

ENVI200 ¼ turn filter housings are developed for use in commercial and residential applications. Quarter turn release mechanism shuts off water supply for easy maintenance. Along with other products in the enviro+ range, the ENVI200 is a sustainable filtration solution with a cost-effective refillable housing and replaceable filter refills.

Benefits and Applications

ENVI200 carbon refills available with or without Slowphos® media is particularly suited for Hot or Boiling water applications where there is a need to protect dispensing equipment thereby reducing servicing costs.

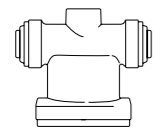
Our range of carbon and other media refills are designed to remove and reduce chlorine taste and odour and other offensive contaminants, such as: chloramine, lead, herbicides, micropollutants, pharmaceutical and pesticides for great tasting drinking water

Certification

ACS AND NSF 42

ENVI200 Filter housings are certified by IAPMO to NSF standard 42 for microbiological safety and structural integrity:

- Burst pressure of 400 psi
- Hydrostatic to 375 psi for 15 mins
- Cycle testing from 0 - 150 psi 100,000 times



Specifications

Housing Construction

FDA approved polypropylene with 10% talc

Head Options

¼ Turn fit head with ¼ or 3/8 Quick connects

Max Operating Pressure

8.5 Bar / 120 psi

Water Inflow Temperature Range

4°C – 40°C / 39°F - 104°F

Micron Rating

Depending on Media– Range from 0.2 to 5 micron

Dimensions Without Head

H: 260mm x 67mm

Media Type

Carbon media with or without Slowphos® beads

Capacity

Dependant on media choice: 1,100 Litres to 19,000 litres

Operating Temperature Range

4°C – 40°C / 39°F - 104°F

Flow Rate

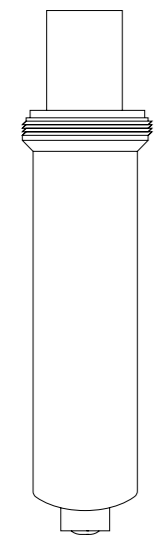
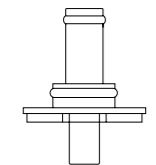
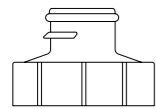
1.9 lpm / 0.5 USG per minute

Weight Dry, Wet

0.4kg, 0.5kg / 0.8lbs, 1.1lbs approx.

Mounting Orientation

Vertical or horizontal



NOTES:

Performance capacity depends on system design, mains pressure and flow rate, incoming water parameters and certain other application conditions. After installation, flush the cartridge for 30 seconds to remove fines before using the water and again after a period of no usage. Estimated capacity using 2 ppm free available chlorine at 0.5 ppm breakthrough.

WARNING:

Only use with potable water.

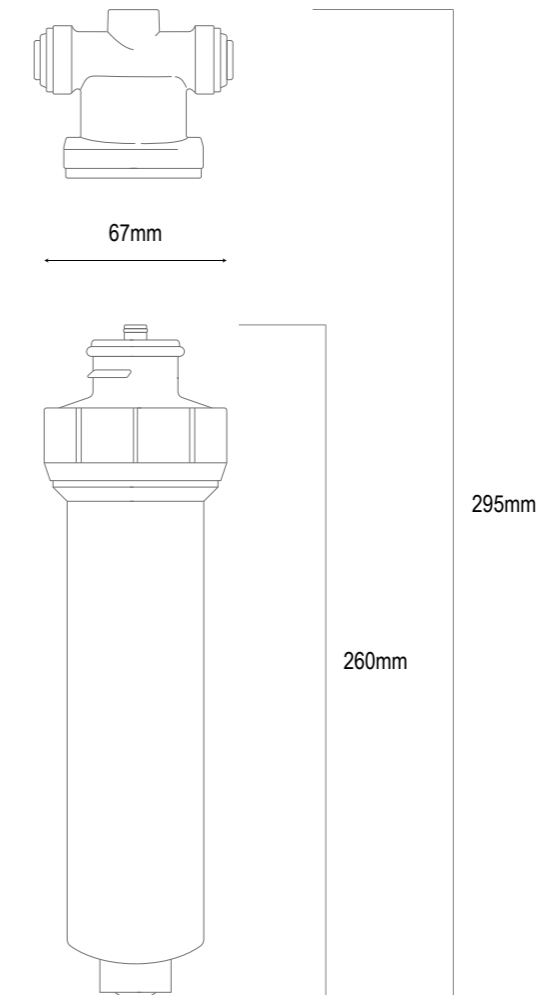
Do not use with water that is of unknown quality without adequate disinfection before or after the system.

Product Code	System Type
ENVI20014	enviro+ 200 System + 1/4" PF Head (no insert)
ENVI20038V	enviro+ 200 System + 3/8" Head (no insert)

Product Code	Media Type	Cyst Reduction	Chlorine Reduction	Lead Reduction	Colour End Cap	Colour Netting
22011569	Sediment (5m)	✓	✗	✗	White Plug	N/A
22000434	Carbon Block (1m)	✓	✓	✗	Black Plug	N/A
22000435	Carbon Block with Phos (1m)	✓	✓	✗	Black Plug	N/A
22001391	Silverised Carbon (1m)	✓	✓	✗	Red	Red
22001392	Silverised Carbon with Phos (1m)	✓	✓	✗	Red	Natural
22012450	Fibre-dyne Block (0.5m)	✓	✓	✓	Blue	Blue
22012764	Fibre-dyne Block with Phos (0.5m)	✓	✓	✓	Blue	Natural
22000389	Ahlstrom (0.2m)	✓	✓	✗	Black	Black
22000393	Ahlstrom with Phos (0.2m)	✓	✓	✗	Black	Natural

Product Code	Media Type	Cyst Reduction	Anti-Microbial Resistance	Scale Protection	Colour End Cap	Colour Netting
22011569	Sediment (5m)	✗	✗	✗	White Plug	N/A
22000434	Carbon Block (1m)	✗	✗	✗	Black Plug	N/A
22000435	Carbon Block with Phos (1m)	✗	✗	✓	Black Plug	N/A
22001391	Silverised Carbon (1m)	✓	✓	✗	Red	Red
22001392	Silverised Carbon with Phos (1m)	✓	✓	✓	Red	Natural
22012450	Fibre-dyne Block (0.5m)	✓	✓	✗	Blue	Blue
22012764	Fibre-dyne Block with Phos (0.5m)	✓	✓	✓	Blue	Natural
22000389	Ahlstrom (0.2m)	✓	✗	✗	Black	Black
22000393	Ahlstrom with Phos (0.2m)	✓	✗	✓	Black	Natural

m = micron rating



Call 01704 516916 or email sales@aquacure.co.uk

Changing Insert

1. Turn off water supply to enviro+ filter system.
2. Detach housing from head by making a 1/4 turn anti-clockwise.
3. Exchange old insert for new.
4. Re-fit housing to head by pushing the housing into the head and making a 1/4 turn clockwise until the housing locks.
5. Turn on water supply and flush for a minimum of 20 litres.

