



## **ENVI100 Range: Compact and Efficient Commercial & Residential Solutions**

Introducing the ENVI100 Range, designed with precision to meet commercial and residential needs. Their offerings encompass sustainable and budget-friendly filtration solutions, with the choice to prevent scale buildup in hot water systems and effectively eliminate impurities for improved water quality, making them an essential asset.

- ✓ Residential convenience.
- ✓ High-capacity filtration.
- ✓ 99% contaminant removal.
- ✓ Easy installation.



ENVI100 Inline filter housings are developed for use in commercial and residential applications. Along with other products in the enviro+ range, the ENVI100 is a sustainable filtration solution with a cost-effective refillable housing and replaceable filter refills.

### Benefits and Applications

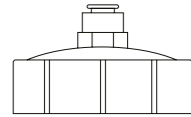
ENVI100 refills are available with or without Slowphos® media which is particularly suited for Hot or Boiling water applications where there is a need to protect dispensing equipment and reduce scale.

Our range of carbon and other media refills are designed to remove and reduce chlorine taste and odour and other offensive contaminants, such as: chloramine, lead, herbicides, micropollutants, pharmaceutical and pesticides for great tasting drinking water.

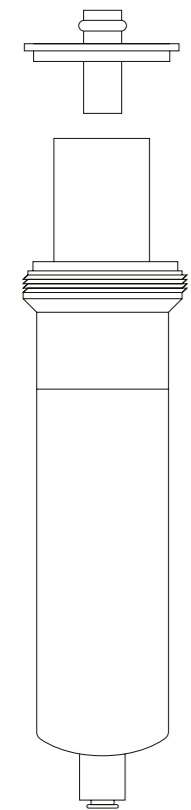
### Certification

ENVI100 Filter housings are certified by IAPMO to NSF standard 42 for microbiological safety and structural integrity:

- Burst pressure of 400 psi
- Hydrostatic to 375 psi for 15 mins
- Cycle testing from 0 - 150 psi 100,000 times



### Specifications



#### Housing Construction

FDA approved polypropylene with 10% talc

#### Head Options

N/A

#### Max Operating Pressure

8.5 Bar / 120 psi

#### Water Inflow Temperature Range

4°C – 40°C / 39°F - 104°F

#### Micron Rating

Depending on Media– Range from 0.2 to 5 micron

#### Dimensions

H: 260mm x W: 67mm

#### Media Type

Carbon media with or without Slowphos® beads

#### Capacity

Dependant on media choice: 1,100 Litres to 19,000 Litres

#### Operating Temperature Range

4°C – 40°C / 39°F - 104°F

#### Flow Rate

1.9 lpm / 0.5 USG per minute

#### Weight Dry, Wet

0.4kg, 0.5kg / 0.8lbs, 1.1lbs approx.

#### Mounting Orientation

Vertical or horizontal

#### NOTES:

Performance capacity depends on system design, mains pressure and flow rate, incoming water parameters and certain other application conditions. After installation, flush the cartridge for 30 seconds to remove fines before using the water and again after a period of no usage. Estimated capacity using 2 ppm free available chlorine at 0.5 ppm breakthrough.

#### WARNING:

Only use with potable water. Do not use with water that is of unknown quality without adequate disinfection before or after the system.

Product Code	System Type					
ENVI100	enviro+ 100 Push Fit Assembly (no insert)					

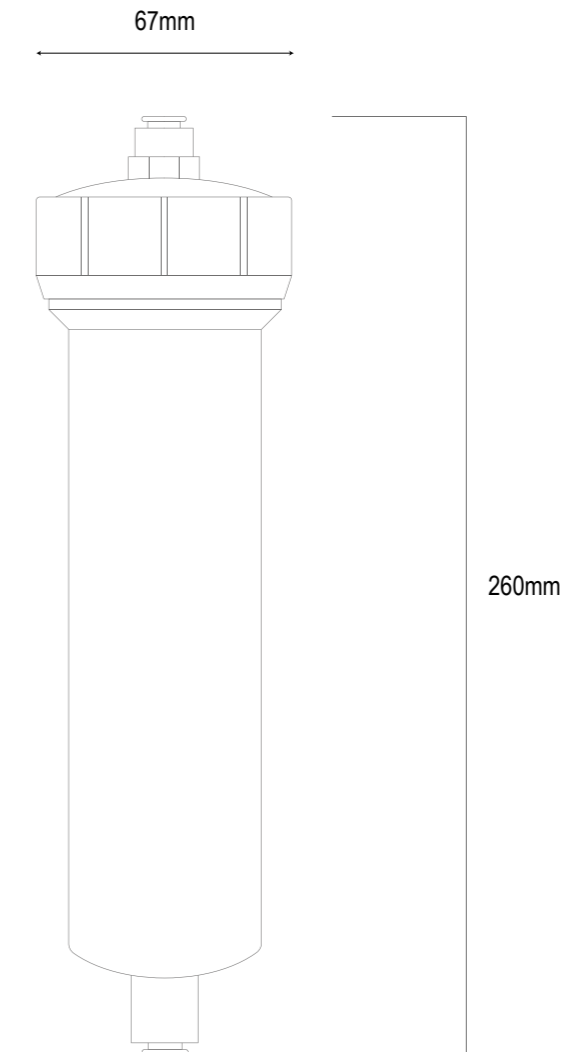
  

Product Code	Media Type	Sediment	Chlorine Reduction	Lead Reduction	Colour End Cap	Colour Netting
22011569	Sediment (5m)	✓	✗	✗	White Plug	N/A
22000434	Carbon Block (1m)	✓	✓	✗	Black Plug	N/A
22000435	Carbon Block with Phos (1m)	✓	✓	✗	Black Plug	N/A
22001391	Silverised Carbon (1m)	✓	✓	✗	Red	Red
22001392	Silverised Carbon with Phos (1m)	✓	✓	✗	Red	Natural
22012450	Fibre-dyne Block (0.5m)	✓	✓	✓	Blue	Blue
22012764	Fibre-dyne Block with Phos (0.5m)	✓	✓	✓	Blue	Natural
22000389	Ahlstrom (0.2m)	✓	✓	✗	Black	Black
22000393	Ahlstrom with Phos (0.2m)	✓	✓	✗	Black	Natural

Product Code	Media Type	Cyst Reduction	Anti-Microbial Resistance	Scale Protection	Colour End Cap	Colour Netting
22011569	Sediment (5m)	✗	✗	✗	White Plug	N/A
22000434	Carbon Block (1m)	✗	✗	✗	Black Plug	N/A
22000435	Carbon Block with Phos (1m)	✗	✗	✓	Black Plug	N/A
22001391	Silverised Carbon (1m)	✓	✓	✗	Red	Red
22001392	Silverised Carbon with Phos (1m)	✓	✓	✓	Red	Natural
22012450	Fibre-dyne Block (0.5m)	✓	✓	✗	Blue	Blue
22012764	Fibre-dyne Block with Phos (0.5m)	✓	✓	✓	Blue	Natural
22000389	Ahlstrom (0.2m)	✓	✗	✗	Black	Black
22000393	Ahlstrom with Phos (0.2m)	✓	✗	✓	Black	Natural

m = micron rating



## Changing Insert

1. Turn off water supply to enviro+ filter system.
2. Detach housing from cap by turning anti-clockwise.
3. Exchange old insert for new.
4. Re-fit housing to cap by turning clockwise.
5. Turn on water supply and flush for a minimum of 20 litres.

